

**2018 8**

1

2

0

3

;

4

**2**

1

2

3

4

5

7)AH

,)AH

,)AH++

**3**

1

2

3

**4**

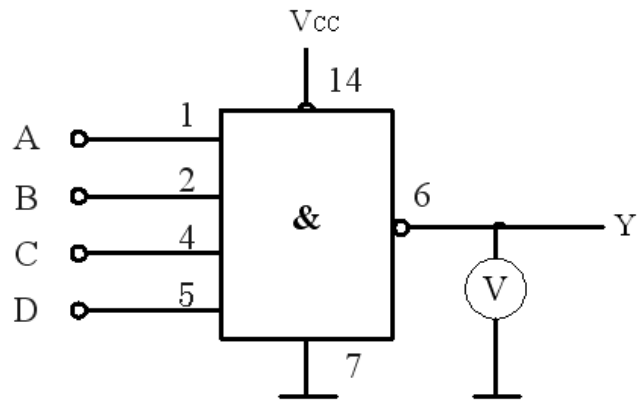
**1**

,)AH

(

(

(



(

(

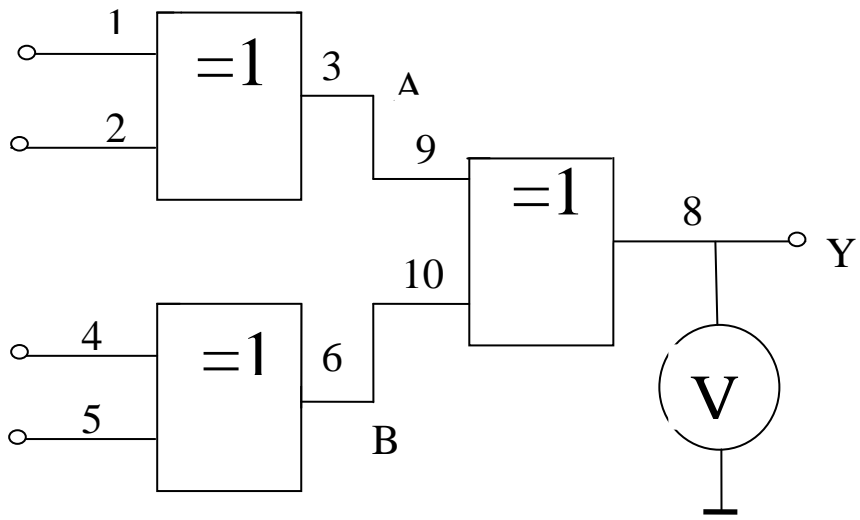
		)			K
=	=	=	=		
A	=	=	=		
A	A	=	=		
A	A	A	=		
A	A	A	A		

2

,)AH+

(

6 7



(

(

!

(

(

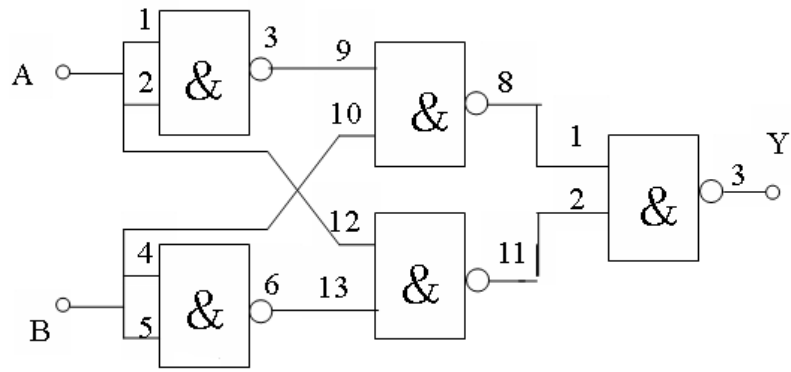
		)			K
=	=	=	=		
A	=	=	=		
A	A	=	=		
A	A	A	=		
A	A	A	A		

3

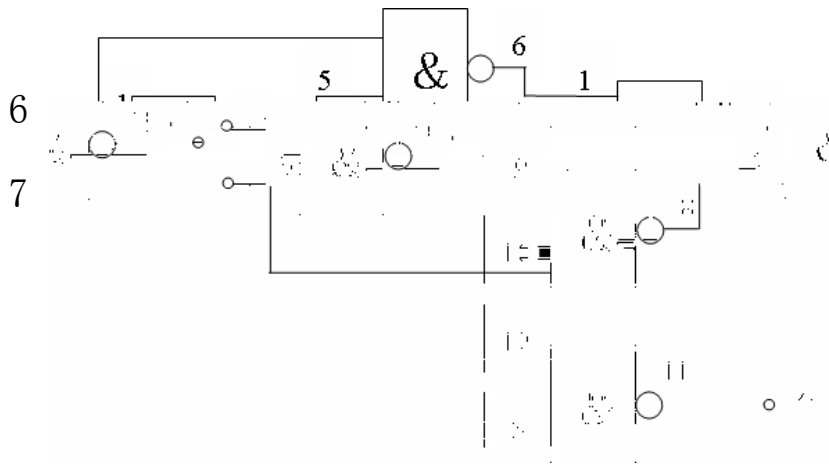
,)AH

( ( ( )

( ( ( )



( (



( )

( (

6	7	
A	A	
A	=	
=	A	
=	=	

Y

( )

6	7		
A	A		
A	=		

=	A		
=	=		

)

,)AH

$$F = \overline{A+B} = \overline{A \bullet B}$$

(

(

6	7	;
A	A	
A	=	
=	A	
=	=	

,)AH

( +

( +

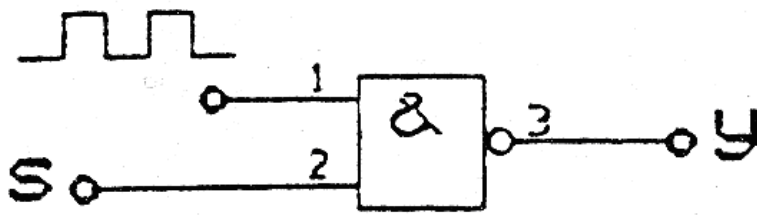
6	7	;
A	A	
A	=	
=	A	
=	=	

,)AH

(

H

H



(

1

2

3

2

1

2

3

7) AH

(

,) AH-+

,) AH )

3

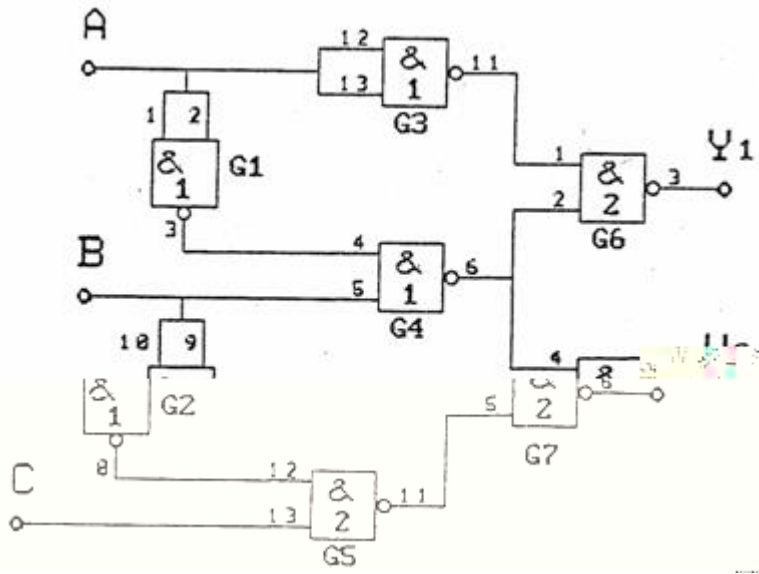
1

2

3

4

1



( + 2 74LS00

1) 2 74LS00 ( +

2 6 7 8

( ( ,

)

( ,

A	C	Y <sub>1</sub>	Y <sub>2</sub>
0	0	0	
0	0	1	
0	1	0	
0	1	1	
1	0	0	
1	0	1	
1	1	0	
1	1	1	

74LS86

74LS00



○ ㉓

○ ㉔

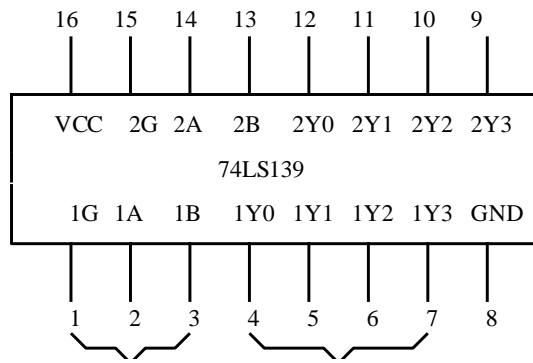
1 0 1	
1 1 0	
1 1 1	

,)AH (.

,)AH (

2

1



( - ,)AH (.

(

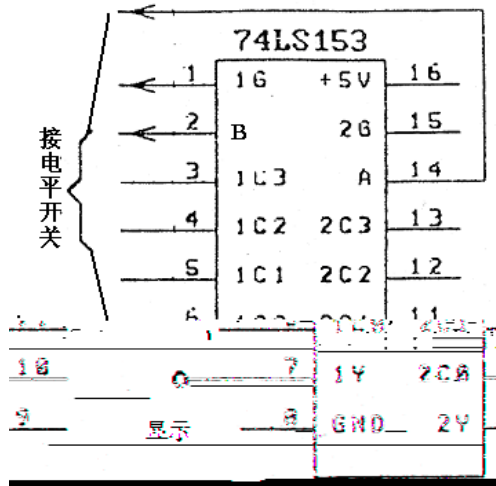
	7	6				(
=	M	M				
A	A	A				
A	A	=				
A	=	A				
A	=	=				

) ( -

( ( -

(

) ,)AH ( ( . (



( . ) ,)AH ( (

7	6	8	8	8	8 <sub>c</sub>		
M	M	M	M	M	M	=	
A	A	A	M	M	M	A	
A	A	=	M	M	M	A	
A	=	M	A	M	M	A	
A	=	M	=	M	M	A	
=	A	M	M	A	M	A	
=	A	M	M	=	M	A	
=	=	M	M	M	A	A	
=	=	M	M	M	=	A	

) ,)AH ( 267 68

267 68 (

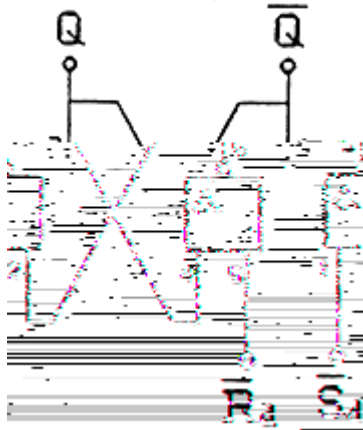
(

(

附件 9

2  
3  
4  
1 GH

GH 3.1.10



3.1.10 GH

( 13  $\overline{S_d}$   $\overline{R_d}$   $F$   $\overline{Q}$

3.1.13

3.1.13

$\overline{S_d}$	$\overline{R_d}$	$F$	$\overline{Q}$	
A	A			
A	=			
=	A			
=	=			

2  $\overline{S_d}$   $\overline{R_d}$

3  $\overline{S_d}$   $\overline{R_d}$

4  $\overline{R_d}$   $\overline{S_d}$

2 3 4  $F$   $\overline{Q}$  GH  $F$

$\overline{Q}$

$\overline{S_d}$   $\overline{R_d}$

$\overline{S_d}$   $\overline{R_d}$

$F$   $\overline{Q}$

$\overline{S_d}$   $\overline{R_d}$

$F$   $\overline{Q}$

( "  $F$   $\overline{Q}$

2 9

9

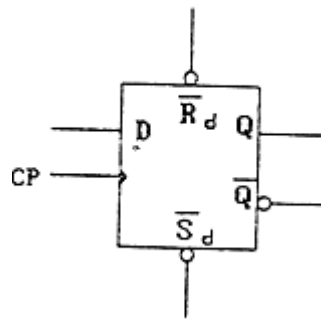
, ) AH, )

3.1.11

$\overline{S_d}$

$\overline{R_d}$

8



3.1.11 , ) AH, )

$\overline{S_d}$   $\overline{R_d}$

$F$   $\overline{Q}$

2  $\overline{S_d}$  2  $\overline{R_d}$  2 9

8

8

$F$

(  $\overline{S_d}$  2  $\overline{R_d}$  2 8 2

8 2

9

$F$

( )

( )

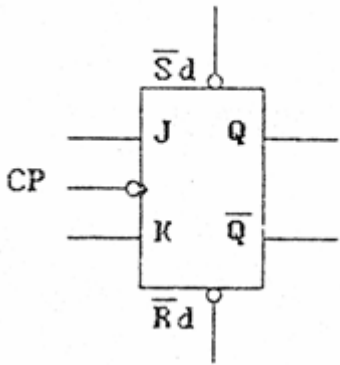
$\overline{S_d}$	$\overline{R_d}$	8	9	$F^s$	$F^s$

)  $\overline{S_d} \ 2 \ \overline{R_d} \ 2 \ 9 \ \overline{Q} \ 8 \ F \ 8$

(

,)AH 3.1.12  $\overline{S_d} \ \overline{R_d}$

8



3.1.12, )AH

(

(

$\overline{S_d}$	$\overline{R_d}$	$8$	$Q^n$	$Q^{n+1}$

2  $\overline{S_d} \ 2 \ \overline{R_d} \ 2 \ 2 \ 2 \ 8 \ F \ 8$

9  $9 \ \overline{Q} \ 8 \ F$

)

9 !



8

8 F

(

)

(

1

2

**2**

1

2

3

4

7)AH

,)AH

,)AH ,

9

,)AH,(

**3**

1

2

9

3

**4**

**1**

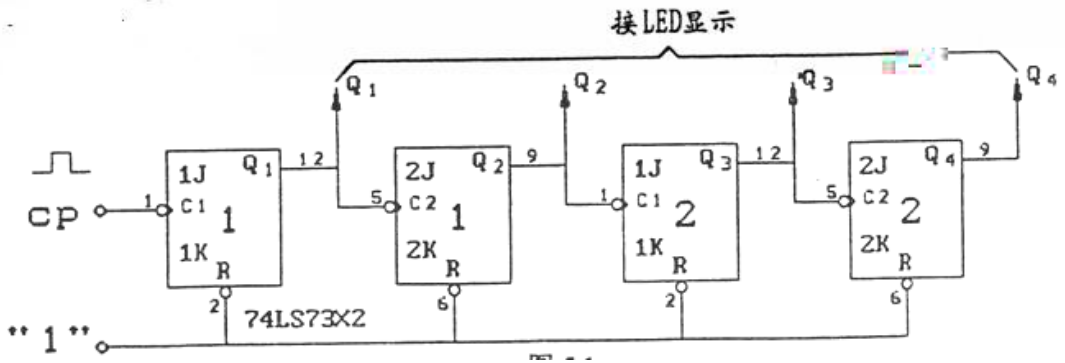
3.1.13

1

CP

Q F

3.1.16



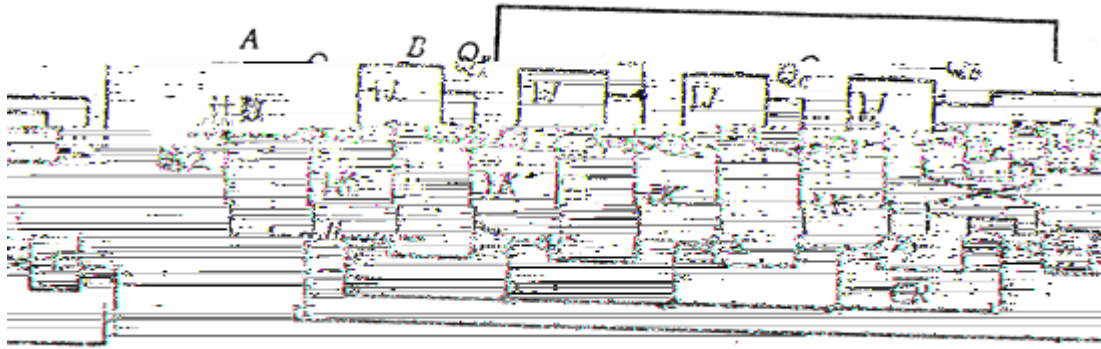
3.1.13

3.1.16

CP	Q	Q	Q	Q	CP	Q	Q	Q	Q
0					9				
1					10				
2					11				
3					12				
4					13				
5					14				
6					15				

7

16



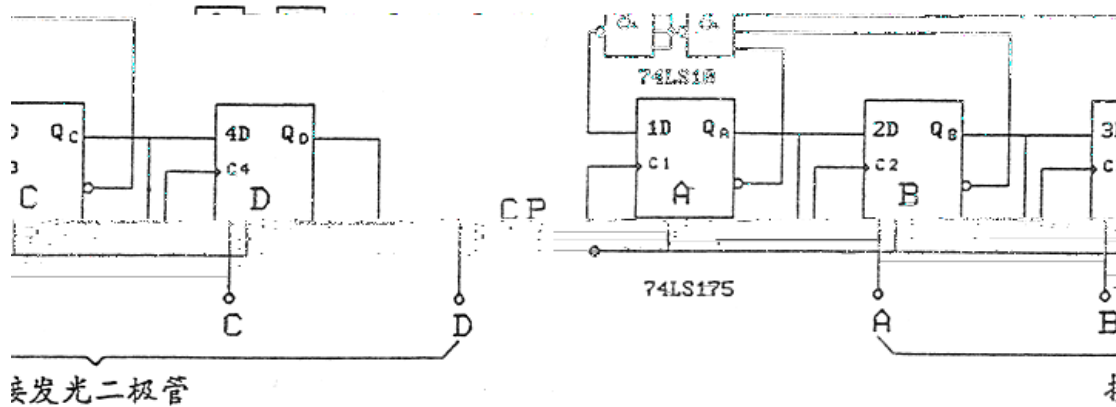
3.1.14

2  
 1 3.1.15 ABCD 1000,  
 0 1 CP



3.1.15

2 3.1.16



3.1.16

2

(

**1**

1

2

3

**2**

1

74LS160 12

1

2

2

74LS161 12

3

74LS160

M 1

M 0

**3**

**4**

1

2

74LS161 74LS160

CP 1Hz

$Q_0 Q_1 Q_2 Q_3$

3

Multisim **Max+plus**

**5**

1

2

74LS161 74LS160 12

**6**

1

2

3

4 Multisim Max+plus

5

( )

6

7

1

2

1

2

(

)

(

1

2

3

4

1

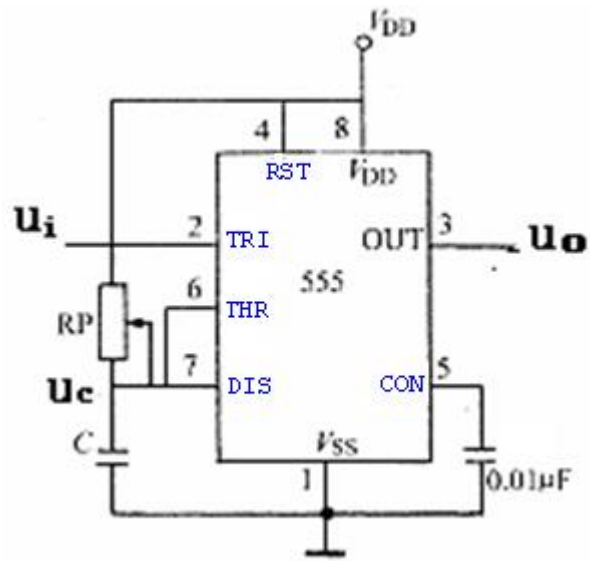
d

9

4

1

( , G2 82 ), ;



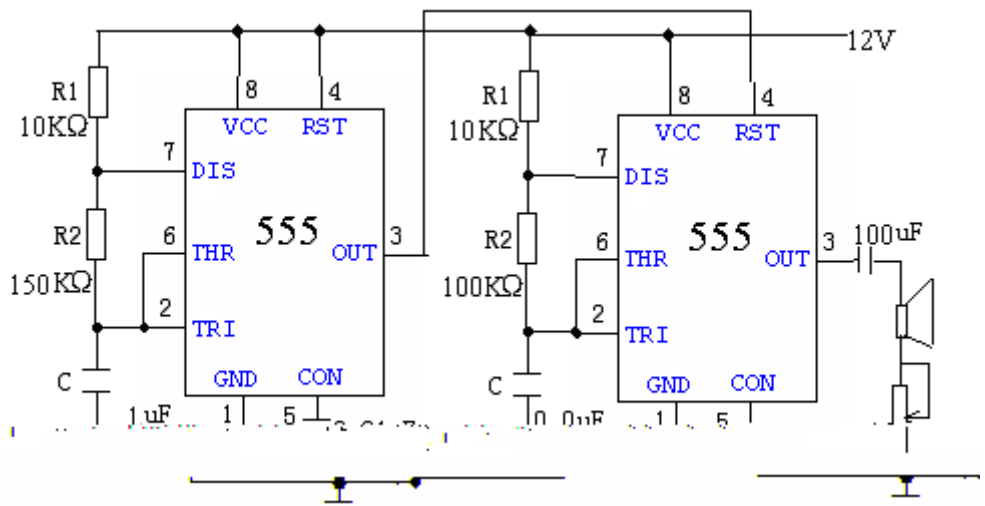
( ,

d x d x

G 8 G 8

d 9

(  
( .



( .

( )

!

- 1
- 1 555
- 2

3  
4  
5  
**2**

1                    555  
2  
3

**3**  
1                    555  
2  
3

4  
**4**

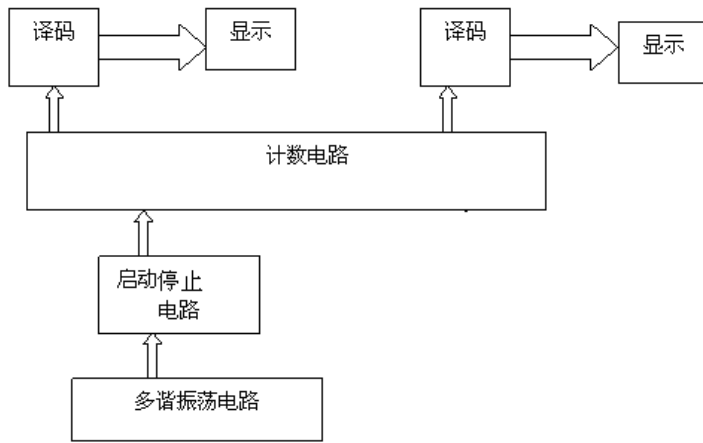
1  
2  
3

4	:	74LS160	2
		74LS247	2
		74LS00	1
		74LS08	1
		555	1

**5.**

(





(

1

555 RC

2

S +5V

S

3

74LS160 74LS161 74LS290

74LS160

74LS160

74LS160

4

8421

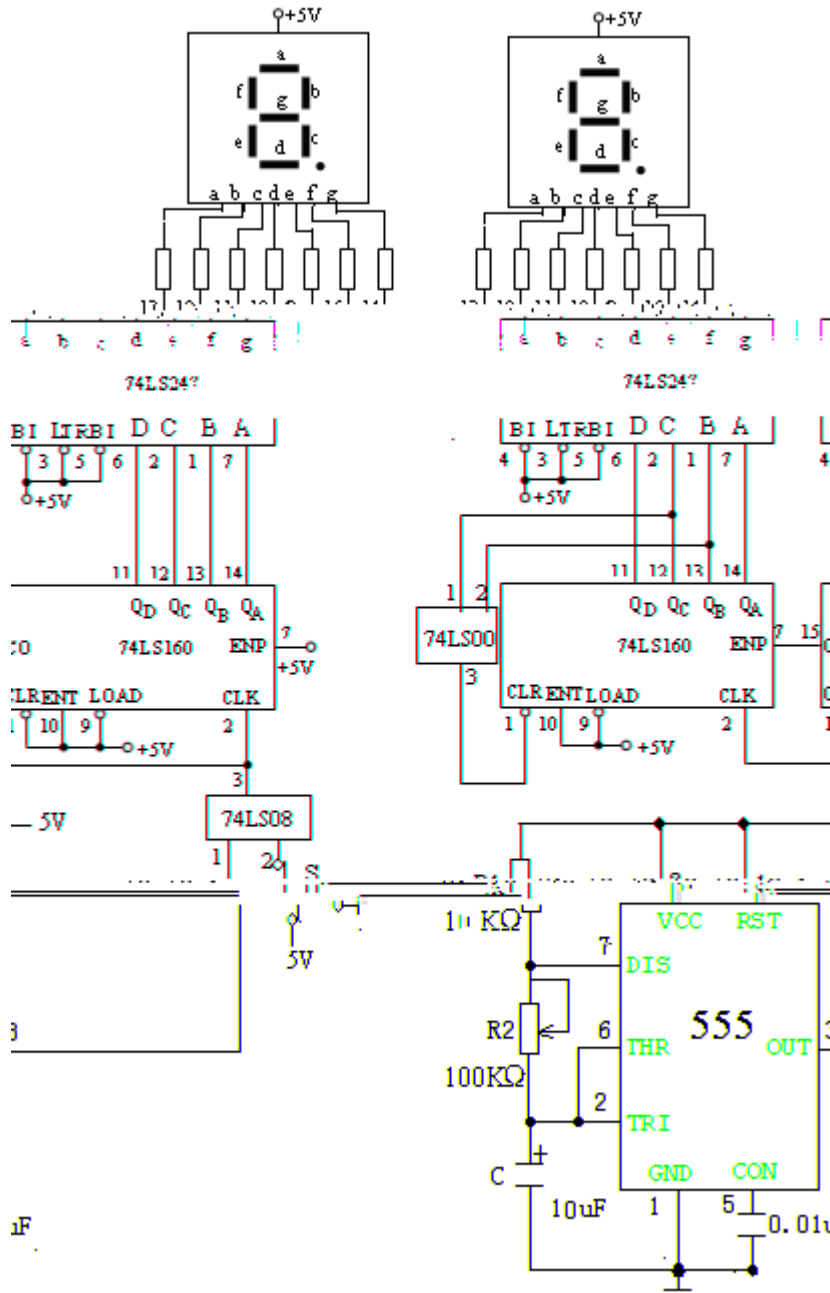
74LS248

74LS247

, 74LS247

, 74LS247

(



(

6

1

EDA

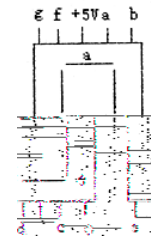
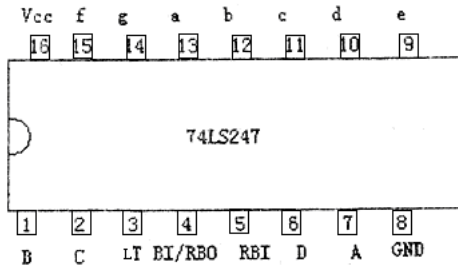
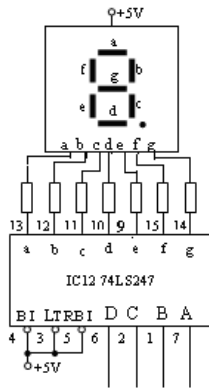
3.1.21

2

( , 74LS247 DCBA 0101 1001 0011

3.1.17 74LS247 ( ( ,74LS247 3.1.18

( )



( ( 74LS247 ( )

### 3.1.17

D	C	B	A	
0	0	0	0	
0	0	0	1	
0	0	1	1	
0	1	0	1	
0	1	1	1	
1	0	0	1	

### 3.1.18 74LS247

LT	RBI	BI/RBO	D	C	B	A	a	b	c	d	e	f	g	
0	x	1	x	x	x	x	0	0	0	0	0	0	0	8
x	x	0	x	x	x	x	1	1	1	1	1	1	1	
1	0	0	0	0	0	0	1	1	1	1	1	1	1	0
1	1	1	0	0	0	0	0	0	0	0	0	0	1	0
		.								.				.
		.								.				.
1	1	1	1	0	0	1	0	0	0	1	0	0	0	9

3

74LS160 ( 2

3.1.19

CP	Q <sub>D</sub>	Q <sub>C</sub>	Q <sub>B</sub>	Q <sub>A</sub>	
	0	0	0	0	0
1					
2					
3					
4					

4

N

74LS160

74LS00

6

2

( +

3.1.20

CP	Q <sub>D</sub>	Q <sub>C</sub>	Q <sub>B</sub>	Q <sub>A</sub>	
	0	0	0	0	0
1	0	0	0	1	1
2	0	0	1	0	2
3					
4					
5					
6					

5

555

( ,

1HZ

R2

3

A.

B

C

6

7

1

2

3

4 Multisim Max+plus

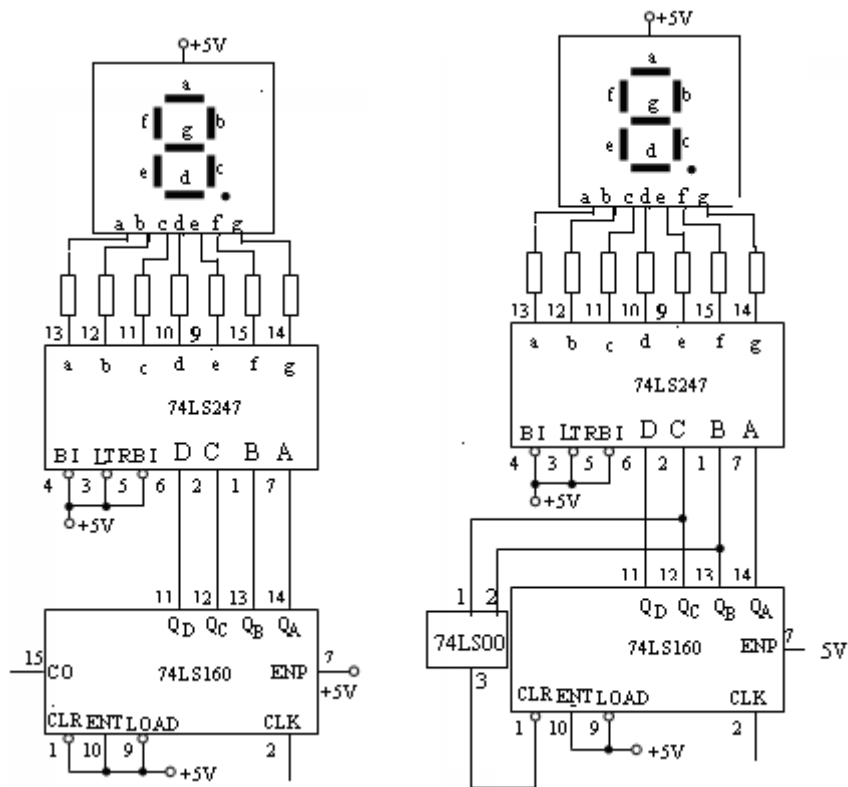
5

( )

6

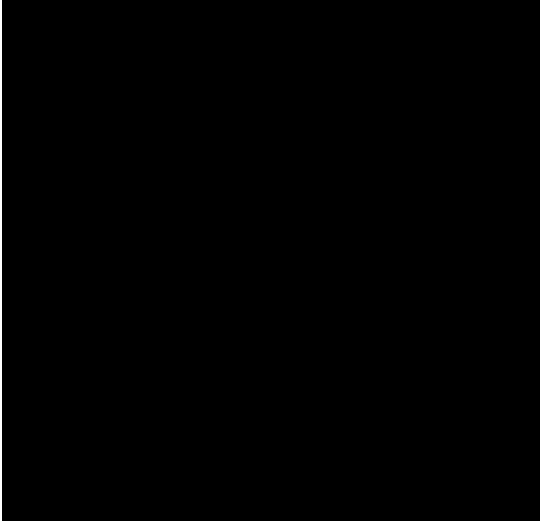
7

8



(

) +



( ,